

**Test Report**  
**No. : TW006-A0-120185**  
**ECE Regulation No.6**



Type : D41-1113PMLDEM1  
Manufacturer : DEPO AUTO PARTS IND. CO., LTD.

---

## Test Report

### Agreement

concerning the adoption of uniform technical prescriptions for the wheeled vehicles, equipment and parts which can be fitted and/or be used on wheeled vehicles and the conditions for reciprocal recognition of approvals granted on the basis of these prescriptions

### **Uniform provisions concerning the approval of direction indicators for power-driven vehicles and their trailers**

ECE-Regulation 6

including all amendments until

series of Amendments: 01

supplement 21

dated:

June 23, 2011

Approval status	
ECE	Number of approval
	E4-6R-01 16719

**Test Report**  
**No. : TW006-A0-120185**  
**ECE Regulation No.6**



Type : D41-1113PMLDEM1  
Manufacturer : DEPO AUTO PARTS IND. CO., LTD.

---

Test object(s) and general test information

Test object(s)

identification number : D41-1113PMLDEM1  
version : Front direction indicators

General test information

Order issued by  
(if different from manufacturer) : ---  
Test object / test vehicle received  
on : not applicable  
Test date : June 14, 2012  
Test site : DEPO AUTO PARTS IND. CO., LTD.  
Xinying, Taiwan R.O.C.  
Remark : ---

**Test Report**  
**No. : TW006-A0-120185**  
**ECE Regulation No.6**



Type : D41-1113PMLDEM1  
Manufacturer : DEPO AUTO PARTS IND. CO., LTD.

---

Test minutes

Test facilities : The test facilities are in compliance with the requirements of the regulation.

Test results : ~~The type has been examined according to the amendments mentioned in appendix 0.~~ See attached.

~~An actual test of the type was not required. The results of the previous tests are still valid.~~

Temperature/Relative Humidity of laboratory : 23.5° C / 70.4%

Markings : The trade mark is marked clearly legible and indelible on the ~~lens and~~ housing of the lamp.

The filament lamp type is clearly legible and indelible marked on the housing.

Space for the approval mark and for additional symbols is provided on the housing.

**Test Report**  
**No. : TW006-A0-120185**  
**ECE Regulation No.6**



Type : D41-1113PMLDEM1  
Manufacturer : DEPO AUTO PARTS IND. CO., LTD.

---

General specifications : The lamps are designed and made that under normal use their satisfactory operation is ensured and they retain the required characteristics.

The colour of the light emitted is amber which satisfies the condition prescribed in Paragraph 8 of the Regulation.

The chromaticity coordinates (x,y) of the light emitted (Reference axis)	Front direction indicators
x	0.5643
y	0.4288

Photometric tests : The light emitted was obtained by means of a standard bulb of the category stated in Appendix L-9, producing the required luminous flux.

The light distribution angles and levels of intensity have been measured in accordance with Annex 4 of the regulation, based on the manufacturer's indication of the centre of reference and axis of reference.

**Test Report**  
**No. : TW006-A0-120185**  
**ECE Regulation No.6**



Type : D41-1113PMLDEM1  
 Manufacturer : DEPO AUTO PARTS IND. CO., LTD.

Results of photometric tests of the front direction indicator; category 1a

distribution of the intensity of the lamps in [cd]								
horizontal angle		L20°	L10°	L5°	V	R5°	R10°	R20°
vertical angle	U10°	-	-	63.05	-	70.75	-	-
	U5°	30.72	108.60	-	206.80	-	212.60	37.25
sample 1 (RH)	H	-	377.20	757.10	964.60	727.10	549.20	-
	D5°	38.61	342.20	-	864.90	-	588.30	62.97
	D10°	-	-	279.10	-	306.90	-	-
vertical angle	U10°	-	-	55.23	-	64.23	-	-
	U5°	43.30	218.50	-	206.20	-	97.65	28.70
sample 2 (LH)	H	-	586.50	786.90	993.90	712.40	389.80	-
	D5°	84.09	583.70	-	1049.00	-	407.80	44.50
	D10°	-	-	306.80	-	293.70	-	-

	sample 1	sample 2	allowable maximum	required minimum
maximum intensity [cd]	1104.80	1049.00	1200	250
minimum intensity in the fields defined in annex 1 of the regulation [cd]	0.58	0.52	-	0.3

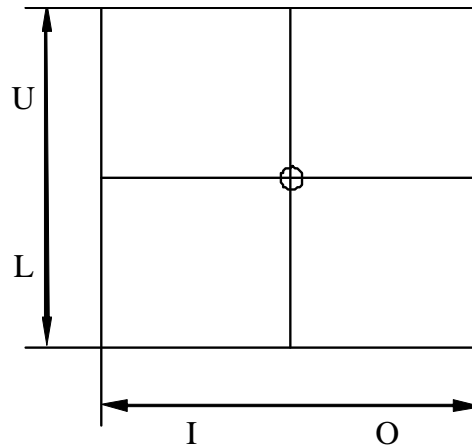
**Test Report**  
**No. : TW006-A0-120185**  
**ECE Regulation No.6**

Type : D41-1113PMLDEM1  
 Manufacturer : DEPO AUTO PARTS IND. CO., LTD.

Illuminating surface : Vertical and horizontal outlines of the illuminating surface of the light-signalling device in relation to the centre of reference.

Definition of the illuminating surface of the device

⊕ centre of reference



function	upper boundary (U) [mm]	lower boundary (L) [mm]	inner boundary (I) [mm]	outer boundary (O) [mm]
Front direction indicator	16	13	30	17

Explanatory note : This report describes the examination of the front direction indicator as a part of a lamp device.

For the examination of the other lamp of the device, refer to the following report:

Type of lamp	Test Report No.
Front position lamp	TW007-A0-120185
Daytime running lamp	TW087-A0-120185
Head lamp	TW112-A0-120185

**Test Report**  
**No. : TW006-A0-120185**  
**ECE Regulation No.6**

Type : D41-1113PMLDEM1  
Manufacturer : DEPO AUTO PARTS IND. CO., LTD.

---

Remark concerning tested object(s)

All versions of the lamps as stated in the information document are covered with the tested version(s) and test object(s) respectively.

Appendices

- L Technical information about the lamp type according to Annex 2 for the communication of the ECE-type approval.
- 0 List of modifications : not attached
- 1 Information folder no. : D41-1113PMLDEM1

Statement of conformity

The information folder and the type described there comply with the requirements in the above mentioned ~~directive~~ regulation.

The technical report (including appendix L) consists of pages 1 to 8 and shall not be reproduced except in full without the written approval of the testing laboratory.

Certification Number: RDW-99050016

Taipei, July 27, 2012  
IFM/#



Cronus Huang  
Engineer

**Test Report**  
**No. : TW006-A0-120185**  
**ECE Regulation No.6**



Type : D41-1113PMLDEM1  
Manufacturer : DEPO AUTO PARTS IND. CO., LTD.

---

Technical information about the lamp type according to Annex 2  
for the communication of the ECE-type approval

Appendix L

1. Trade name or mark of the device : DEPO
2. Manufacturer's name for the type of device : D41-1113PMLDEM1, Front direction indicators
3. Manufacturer's name and address : DEPO AUTO PARTS IND. CO., LTD.  
No. 20-3, Nanshi Ln., Tounan Vil., 505 -  
Lugang Township, Changhua County--Taiwan/ROC
4. If applicable, name and address of manufacturer's representative : not applicable
5. Submitted for approval on : June 14, 2012
7. Date of test report : July 27, 2012
9. Concise description  
Category of device : 1a  
Number and category of filament lamp(s) : 1xPSY24W (12V, 24W)
10. Location of approval mark : on the housing
11. Reason(s) for extension : not applicable



## 1. Specification Data

June 14, 2012

Type		D41-1113PMLDEM1				
Function		Front direction indicator	Front position lamp	Daytime running lamp	Headlamp */	
					Passing Beam	Driving Beam
Light Color		Amber	White	White	White	White
Rate	Voltage	12V	12V	12V	12V	12V
	Wattage	24W	0.3W	4W	55W	55W
Application Regulation (ECE)		R6.01	R7.02	R87.00	R112.00	R112.00
Location of marking	Filament lamp category	PSY24W	LEDx8		H7	
	Trade mark	DEPO				
		On the housing				
Approval mark	On the housing					

\*/ On headlamps designed to provide alternately a driving beam and a passing beam by electromechanical device incorporated in the headlamp.

## 2. Construction and Material :

Construction	Material		Remarks
Lens	PC		Clear
Reflector	Direction indicator / Position lamp / Daytime running lamp	PET+PBT+M20%	Reflective coating, painting on the inside surface
	Head Lamp	Aluminum	
Inner lens	Direction indicator	PC (hot)	Clear
	Position lamp / Daytime running lamp	PC	Clear
	Head Lamp	Glass	Clear
Frame	PBT+PET+M20%		--
Housing	PP+T40%		--

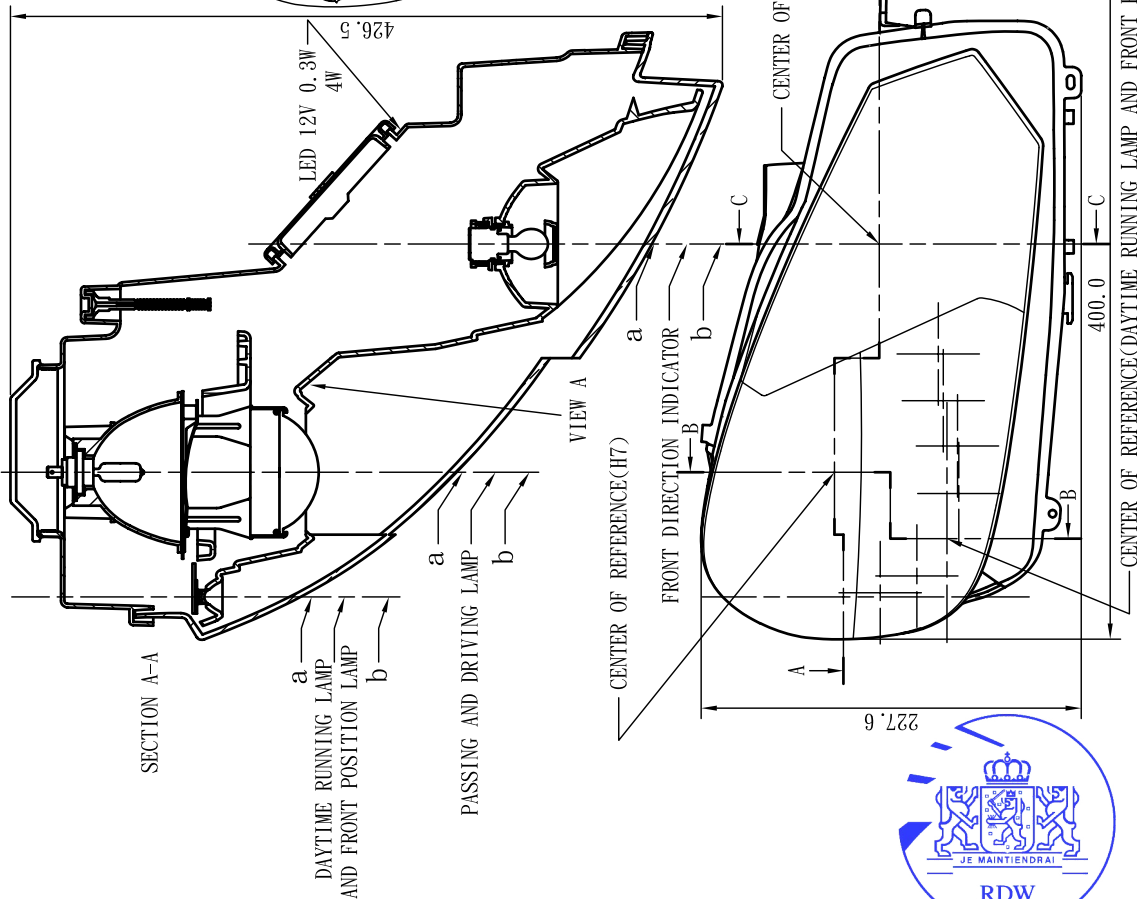
## 3. Name and Address of Manufactory : DEPO AUTO PARTS IND. CO., LTD.

No. 20-3, Nanshi Ln., Tounan Vil., 505 -  
Lugang Township, Changhua County--  
Taiwan/ROC

## 4. Name and address of representative of manufacturer: Not applicable



# INFORMATION FOLDER NO:D41-1113 PMLDEM1



NOTE:

1. THIS DRAWING SHALL BE APPLIED FOR RIGHT HAND ONLY AND LEFT HAND SHALL BE SYMMETRICAL, EXCEPT THE HEADLAMP'S REFLECTOR MODULE.
2. THIS OUTER LENS IS FIXED ON THE HOUSING BY USING GLUE AND SNAP-IN CONNECTORS.
3. THIS LAMP IS EQUIPPED WITH A REFLECTOR ADJUSTING DEVICE.

DEPO		61-D46-1104N
D41-1113R PMLDEM1	12.5	H7 PSY24W
02 A 00 RL 00 HCR 01 1a	PL	H7 PSY24W
D41-1113R PMLDEM1	12.5	H7 PSY24W
02 A 00 RL 00 HCR 01 1a	PL	H7 PSY24W

D41-1113R PMLDEM1		件	號	名稱	材質	規格備註
製圖	黃慧中	2012/07/23	投影法	第三角法	單位	mm
設計	莊閔淳		比例	0.32:1	圖名	頭燈組立圖
<b>審核</b>		許叙	楊忠能	莊閔淳	黃慧中	
版次	修改說明	日期	制訂	審查	核准	

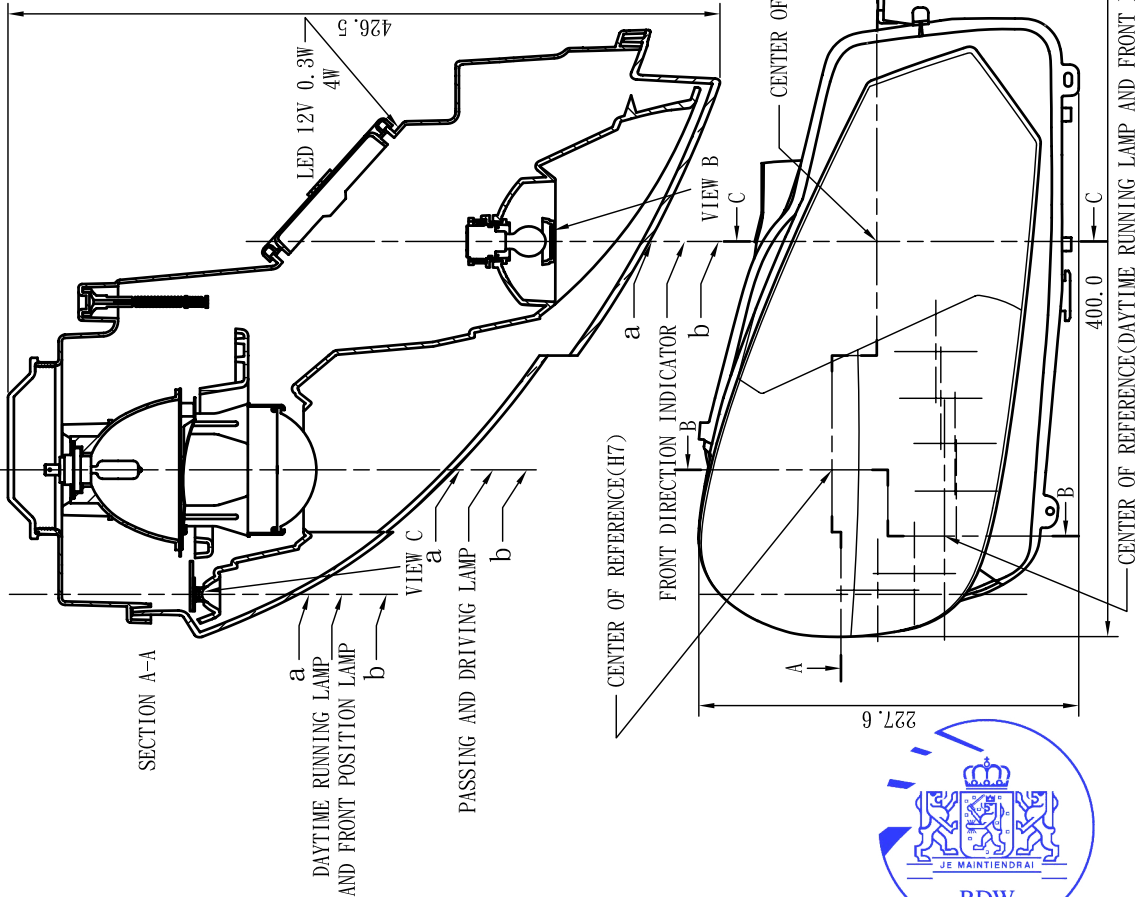
a: AXIS OF REFERENCE  
 b: LONGITUDINAL PLANE OF VEHICLE  
 c: HORIZONTAL PLANE OF VEHICLE



機械加工一般尺寸公差表	公差
一般尺寸	±0.1
6以下	±0.2
6-30以下	±0.3
30-120以下	±0.5
120-150以下	±1.0
150以上	±1.0

未註記公差者適用本表

# INFORMATION FOLDER NO:D41-1113 PMLDEM1



- NOTE:
1. THIS DRAWING SHALL BE APPLIED FOR RIGHT HAND ONLY AND LEFT HAND SHALL BE SYMMETRICAL, EXCEPT THE HEADLAMP'S REFLECTOR MODULE.
  2. THIS OUTER LENS IS FIXED ON THE HOUSING BY USING GLUE AND SNAP-IN CONNECTORS.
  3. THIS LAMP IS EQUIPPED WITH A REFLECTOR ADJUSTING DEVICE.



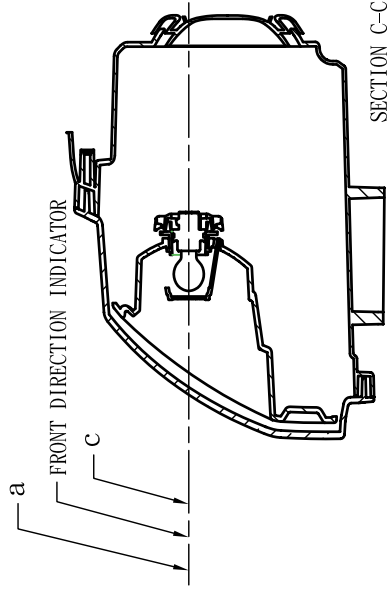
FRONT OF VEHICLE



VIEW B



VIEW C

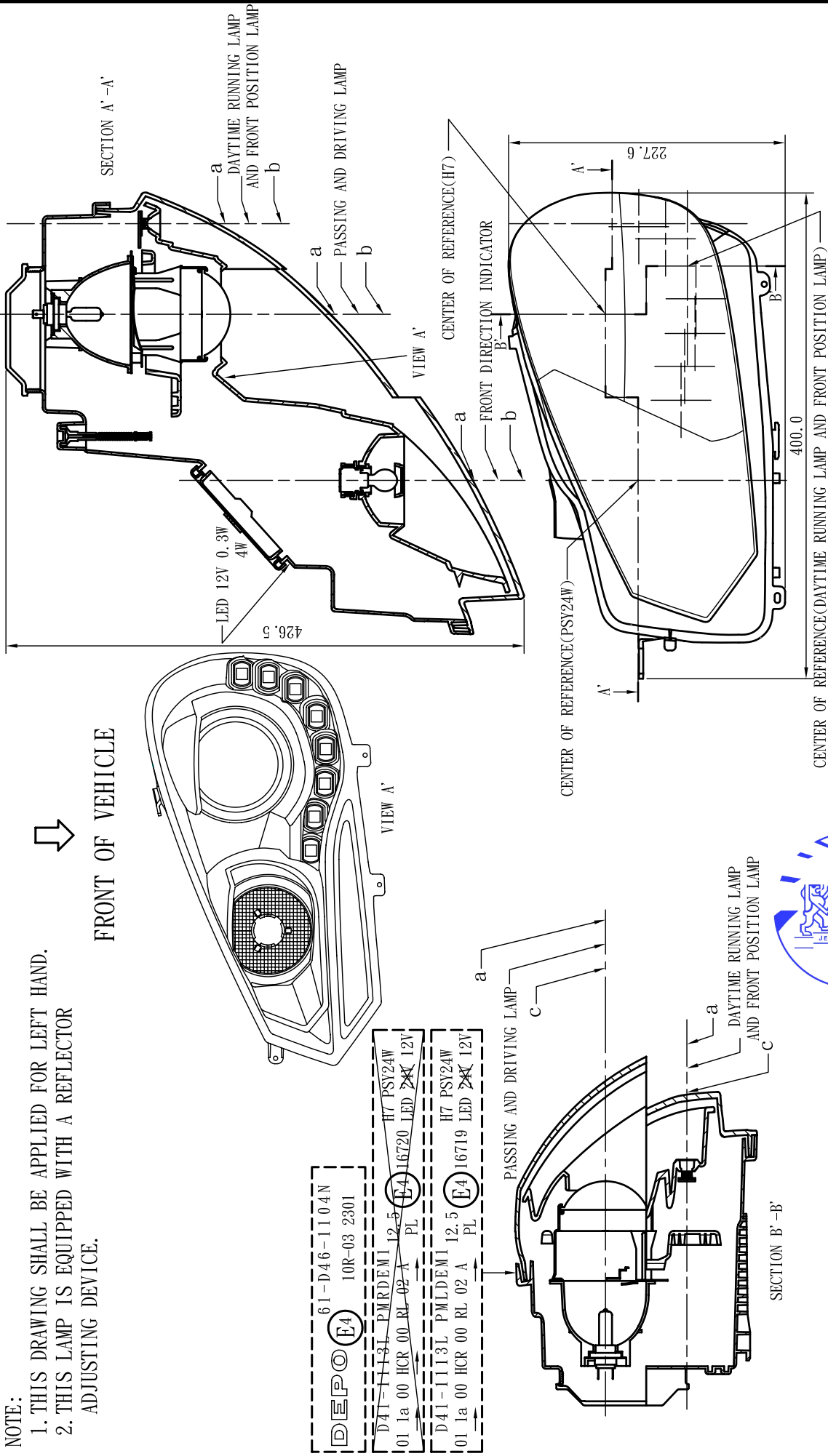


一般尺寸	公差
6以下	±0.1
6-30以下	±0.2
30-120以下	±0.3
120-150以下	±0.5
150以上	±1.0

未註記公差者適用本表

a: AXIS OF REFERENCE  
 b: LONGITUDINAL PLANE OF VEHICLE  
 c: HORIZONTAL PLANE OF VEHICLE

D41-1113R PMLDEM1		名稱	材質	規格備註
件號	黃慧中	2012/07/23	投影法	單位
製圖	莊閔淳		比例	m m
設計	楊忠能		圖名	頭燈組立圖
<b>審核</b>		許叙超	圖號	00\D41-1113L2



NOTE:  
 1. THIS DRAWING SHALL BE APPLIED FOR LEFT HAND.  
 2. THIS LAMP IS EQUIPPED WITH A REFLECTOR ADJUSTING DEVICE.

FRONT OF VEHICLE

61-D46-1104N	
<b>F4</b>	10R-03 2301
D41-1113L PMLDEM1	
01 1a 00 HCR 00 RL 02 A	12.5 <b>F4</b> 16720 LED <del>2</del> 12V PL
D41-1113L PMLDEM1	
01 1a 00 HCR 00 RL 02 A	12.5 <b>F4</b> 16719 LED <del>2</del> 12V PL



a: AXIS OF REFERENCE  
 b: LONGITUDINAL PLANE OF VEHICLE  
 c: HORIZONTAL PLANE OF VEHICLE

D41-1113L PMLDEM1		件號	名稱	材質	規格備註
製圖	設計	黃慧中	楊志能	2012/07/23	規格備註
審核	許叙				單位
					mm
					頭燈組立圖
					圖號
					00\D41-1113L3

版次	修改說明	日期	制訂	審查	核准

機械加工一般尺寸公差表	公差
一般尺寸	±0.1
6以下	±0.2
6-30以下	±0.3
30-120以下	±0.5
120-150以下	±1.0
150以上	±1.0
未註記公差者適用本表	

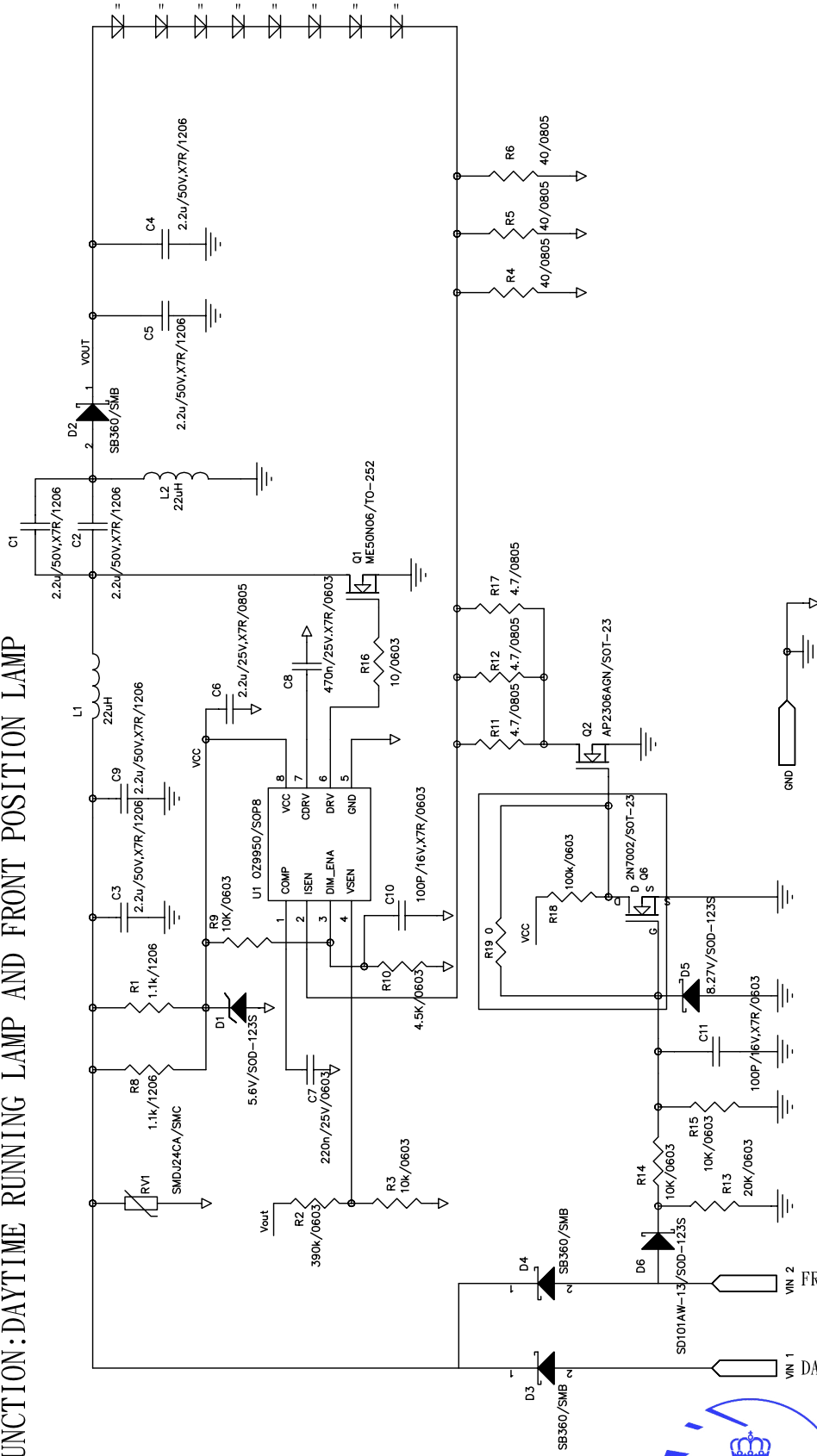
# INFORMATION FOLDER NO:D41-1113 PMLDEM1

61-D46-1104N

FUNCTION: DAYTIME RUNNING LAMP AND FRONT POSITION LAMP

**NOTE:**

1. THIS DRAWING SHALL BE APPLIED FOR RIGHT HAND AND LEFT HAND.



$V_{in} : 12V \pm 10\%$   
 Frequency :  $\sim 300KHz$   
 LED current = 10mA/135mA  
 OVP :  $V_{out} = (R2+R3) / R3$



機械加工一般尺寸公差表	公差
一般尺寸	±0.1
6以下	±0.2
6-30以下	±0.3
30-120以下	±0.5
120-150以下	±1.0
150以上	±1.0

未註記公差者適用本表

D41-1113R/L PMLDEM1		圖號	名稱	材質	規格備註
件號	黃慧中	製圖	楊國淳	2012/07/23	規格備註
製圖	莊國淳	設計	楊忠能		第三角法
審核	許敏超	圖名	比例	1:1	單位
		圖號	圖名	電路圖	mm
		圖號	圖名	00\D41-1113L4	

表單編號:MYR-F105

THE NETHERLANDS  
(N E D E R L A N D)

COMMUNICATION

Concerning <sup>(1)</sup>:

- approval granted
- ~~approval extended~~
- ~~approval refused~~
- ~~approval withdrawn~~
- ~~production definitely discontinued~~

of a type of direction indicator pursuant to Regulation number 6.

**Approval number: E4-6R-01 16719****Extension number: 00**

1. Trade name or mark of the device : DEPO
2. Manufacturer's name for the type of device : D41-1113PMLDEM1, Front direction indicators
3. Manufacturer's name and address : DEPO AUTO PARTS IND. CO., LTD.  
No. 20-3, Nanshi Ln., Tounan Vil., 505-  
Lugang Township, Changhua County--Taiwan/ROC
4. If applicable, name and address of the manufacturer's representative : Not applicable
5. Submitted for approval on : June 14, 2012
6. Technical service responsible for conducting approval tests : TÜV NORD Mobilität GmbH & Co. KG  
Institut für Fahrzeugtechnik und Mobilität  
Adlerstrasse 7, D-45307 Essen
7. Date of test report issued by that service : July 27, 2012
8. Number of test report issued by that service : TW006-A0-120185



9. Concise description :  
 Category : ~~1/1a/1b/2a/2b/3/4/5/6~~<sup>(1)</sup>  
 Number, category : 1xPSY24W  
 Voltage and wattage : 12V , 24W  
 Light source module : ~~yes/no~~<sup>(1)</sup>  
 Light source module specific identification code : Not applicable  
 Only for installation on M1 and/or N1 category vehicles : ~~yes/no~~<sup>(1)</sup>  
 Only for limited mounting height of equal to or less than 750 mm above the ground : ~~yes/no~~<sup>(1)</sup>  
 Geometrical conditions of installation and relating variations, if any : refer to the information folder  
 Application of an electronic light source control gear/~~variable intensity control~~ : Not applicable  
 (a) being part of the lamp : ~~yes/no~~<sup>(1)</sup>  
 (b) being not part of the lamp : ~~yes/no~~<sup>(1)</sup>  
 Input voltage(s) supplied by an electronic light source control gear/~~variable intensity control~~ : Not applicable  
 Electronic light control gear/~~variable intensity control~~ manufacturer and identification number (when the light source control gear is part of the lamp but is not included into the lamp body) : Not applicable  
 Variable luminous intensity : Not applicable
10. Position of the approval mark : On the housing
11. Reason(s) for extension (if applicable) : Not applicable



12. Approval : granted/~~extended/refused/withdrawn~~<sup>(1)</sup>
13. Place : Zoetermeer
14. Date : 06-AUG-2012
15. Signature :



R.F.R. Clement

16. The list of documents deposited with the Administrative Service which has granted approval is annexed to this communication and may be obtained on request.

---

<sup>(1)</sup> Strike out what does not apply.