

THE NETHERLANDS
(N E D E R L A N D)

COMMUNICATION

Concerning:

- approval granted
- ~~approval extended~~
- ~~approval refused~~
- ~~approval withdrawn~~
- ~~production definitely discontinued~~

of a type of direction indicator pursuant to Regulation number 6.

Approval number: E4-6R-01 24660

Extension number: 00

1. Trade name or mark of the device : G.C.D.
2. Manufacturer's name for the type of device : BZ11-G5586-RR
3. Manufacturer's name and address : Golden Cattle Design Integrated Source Co., Ltd.
No.26, Kai-an 5th St.,
Annan Dist., Tainan City 709,
Taiwan.
4. If applicable, name and address of the manufacturer's representative : --
5. Submitted for approval on : 22 December 2015
6. Technical service responsible for conducting approval tests : DEKRA Certification B.V.
7. Date of test report issued by that service : 21 January 2016
8. Number of test report issued by that service : 2187375-PHO 15-237-11
9. Concise description:
Category : ~~1/1a/1b/2a/2b/5/6~~



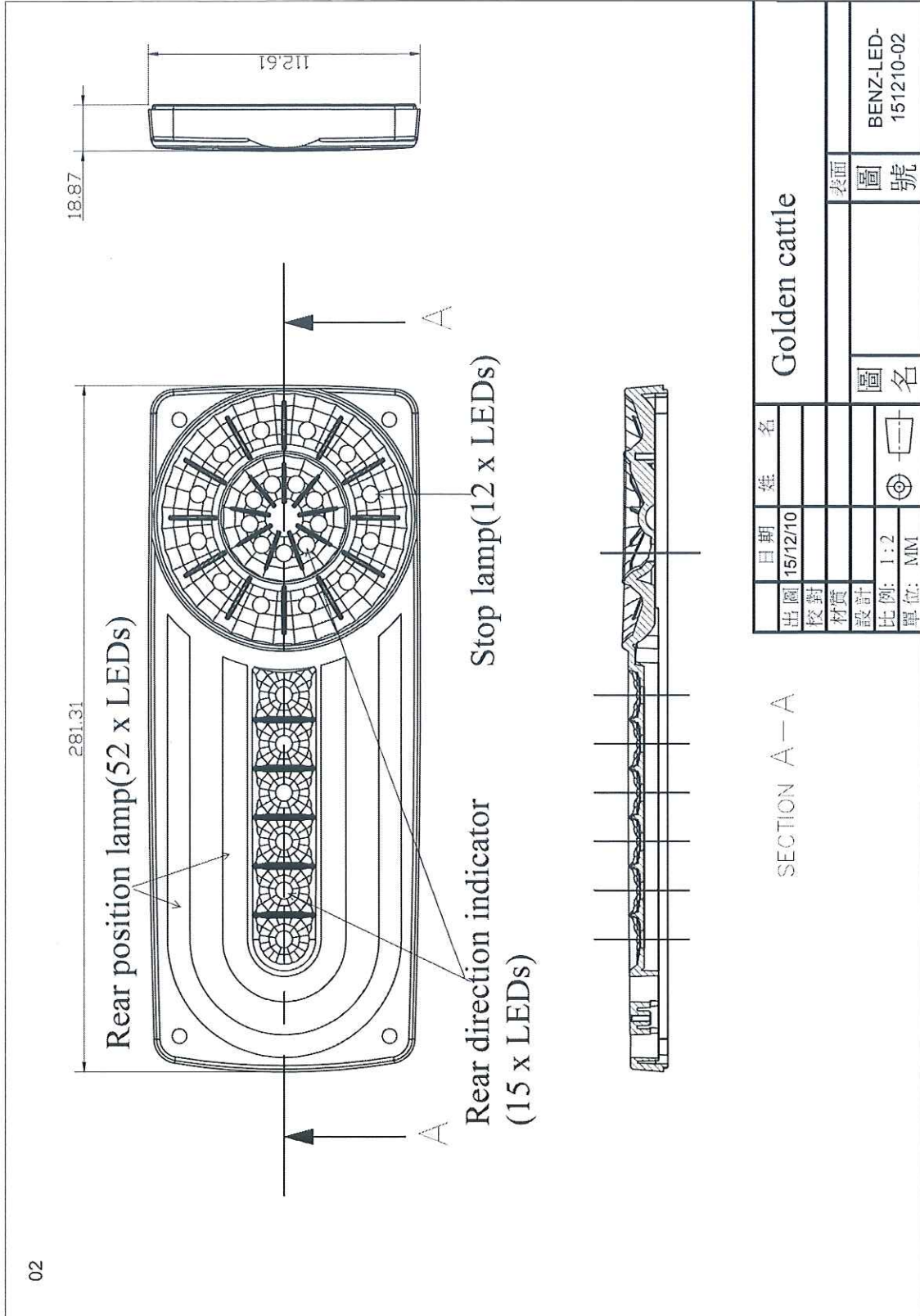
Number, category	: 15 x non replaceable light source (LEDs)
Function(s) produced by an interdependent lamp forming part of an interdependent lamps system	: --
Voltage and wattage	: 13.5V; 3.6W
Light source module specific identification code	: --
Only for limited mounting height of equal to or less than 750 mm above the ground	: yes /no
Geometrical conditions of installation and relating variations, if any	: --
Application of an electronic light source control gear/variable intensity control:	--
(a) Being part of the lamp	: yes /no
(b) Being not part of the lamp	: yes /no
Input voltage(s) supplied by an electronic light source control gear/variable intensity control	: --
Electronic light source control gear/variable intensity control manufacturer and identification number (when the light source control gear is part of the lamp but is not included into the lamp body	: --
Variable luminous intensity	: yes /no
Sequential activation of light sources (see paragraph 5.6.) of this Regulation)	: yes /no
10. Position of the approval mark	: See annexed drawing
11. Reason(s) for extension (if applicable)	:
12. Approval	: granted/ extended / refused / withdrawn

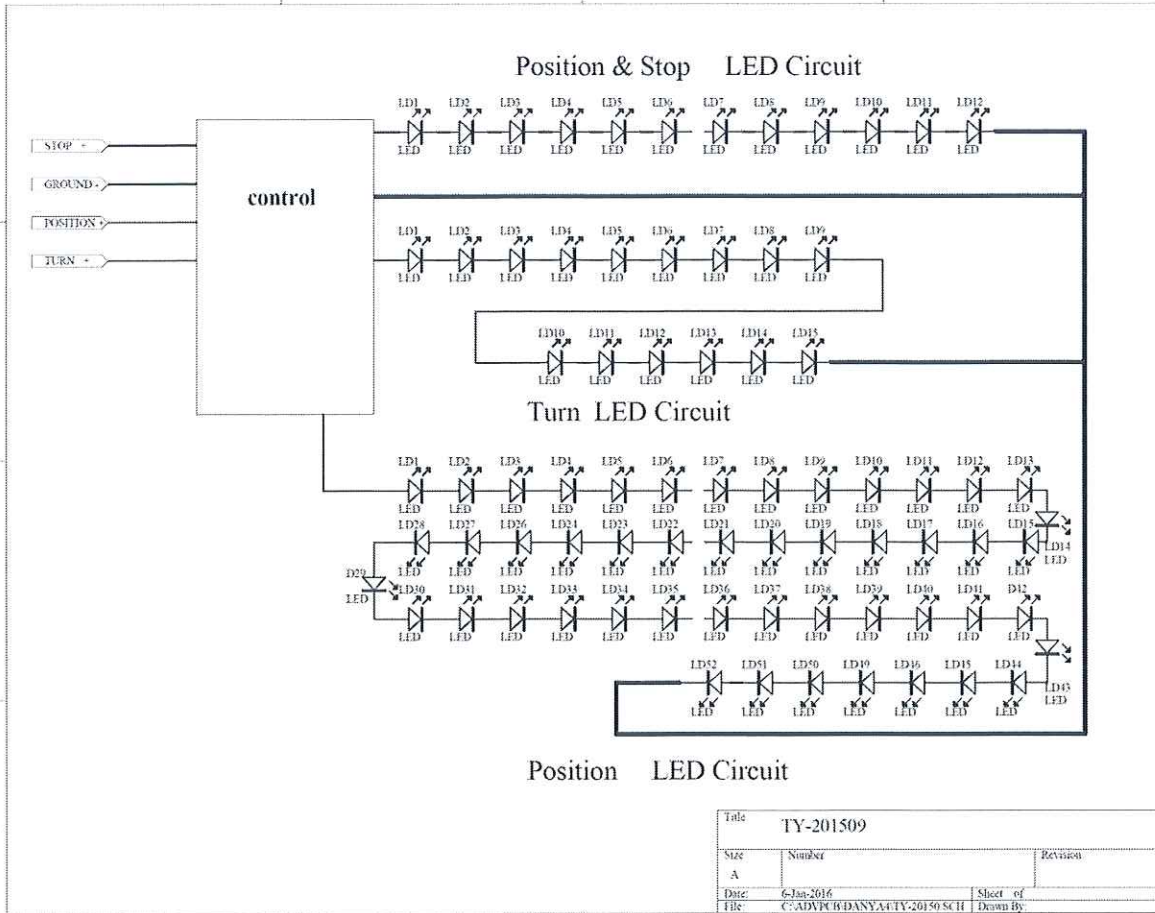


13. Place : Zoetermeer
14. Date : 01-FEB-2016
15. Signature :


Uwe Löbig

16. The list of documents deposited with the Type Approval Authority which has granted approval is annexed to this communication and may be obtained on request.
- 4 drawings No. BEZN-LED-160112-ASS-01, TY201509 circuit diagram and Determination of the apparent surface (annexed)
- Test report as mentioned in item 8.





Determination of the apparent surface

BZ11-G5586-RR : Rear Direction Indicator

